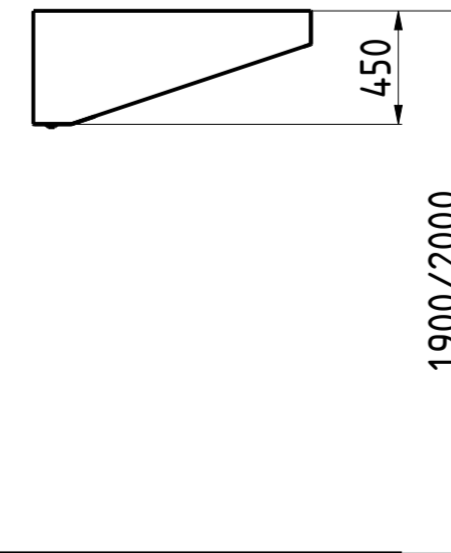
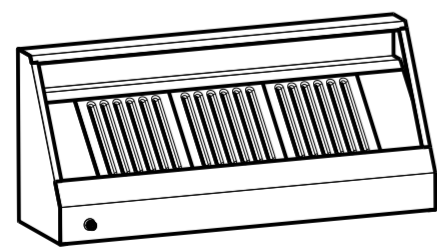
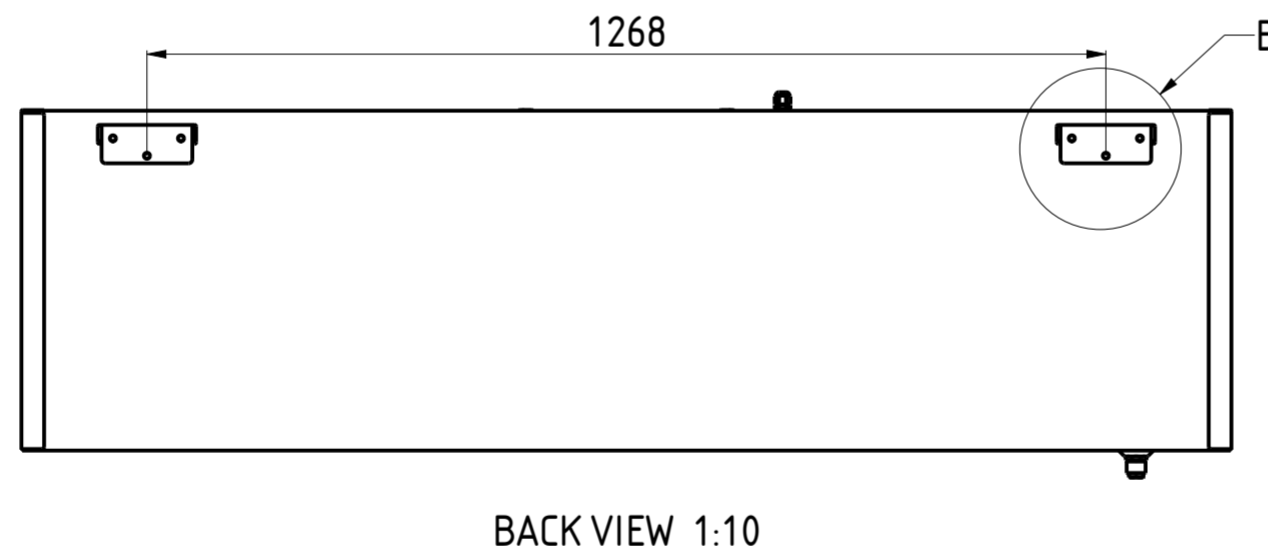
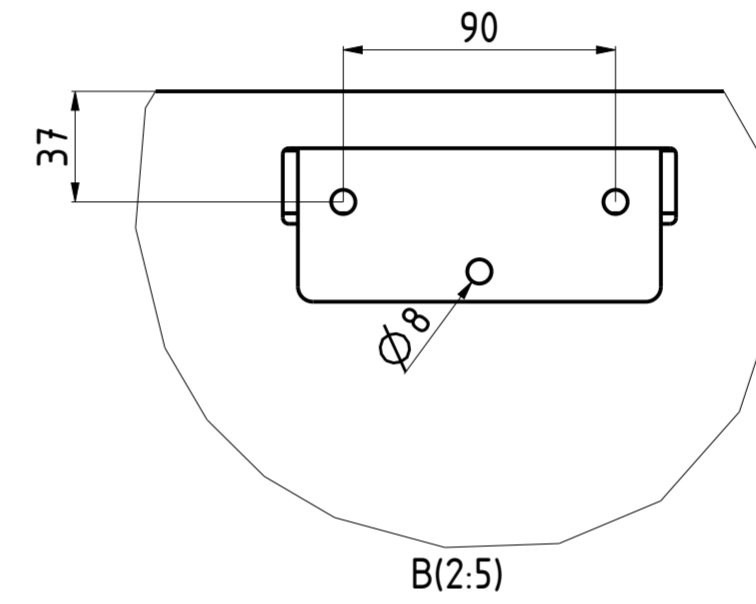
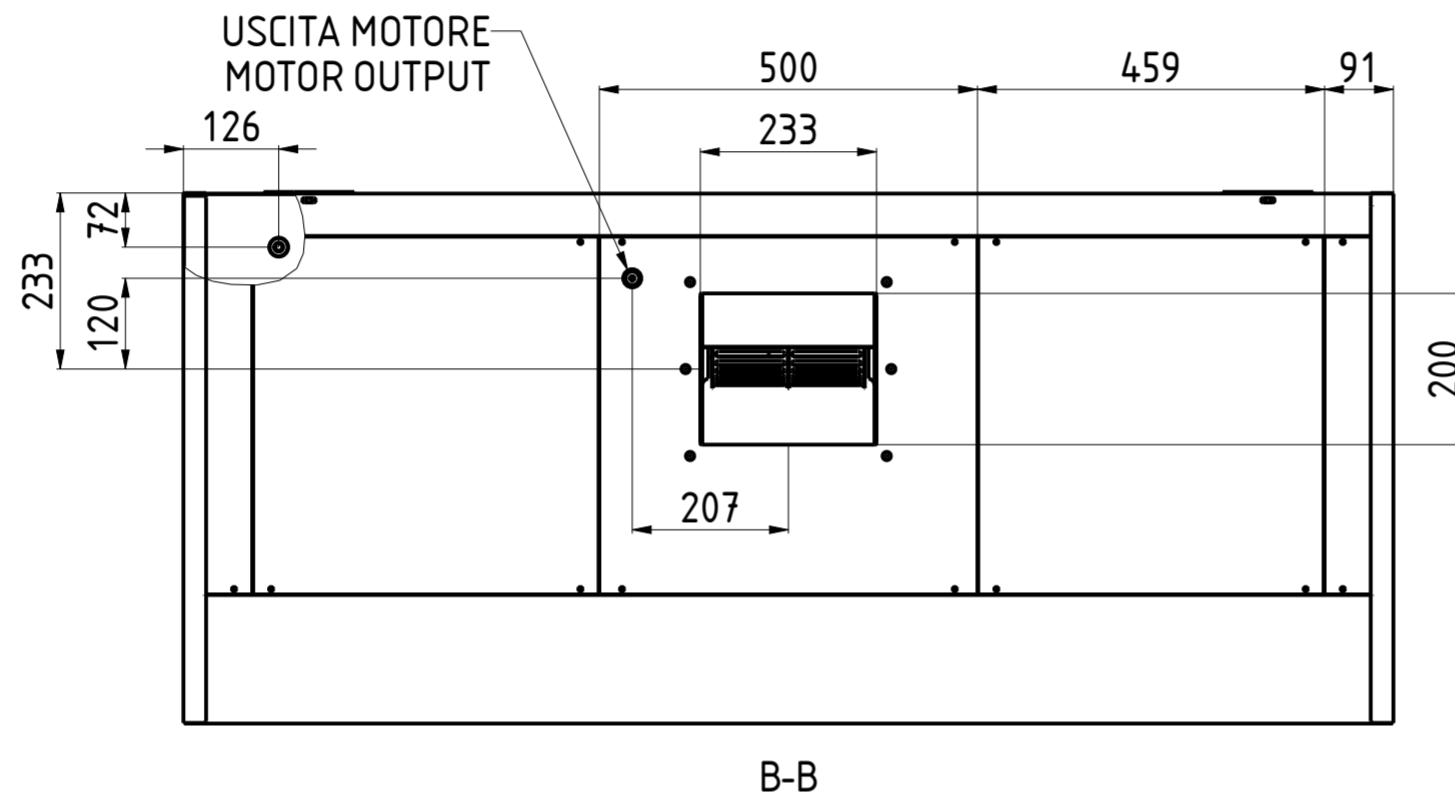
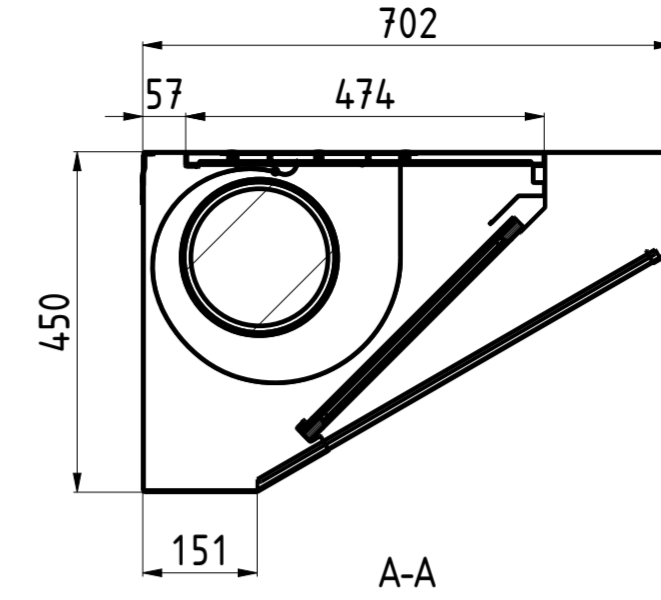
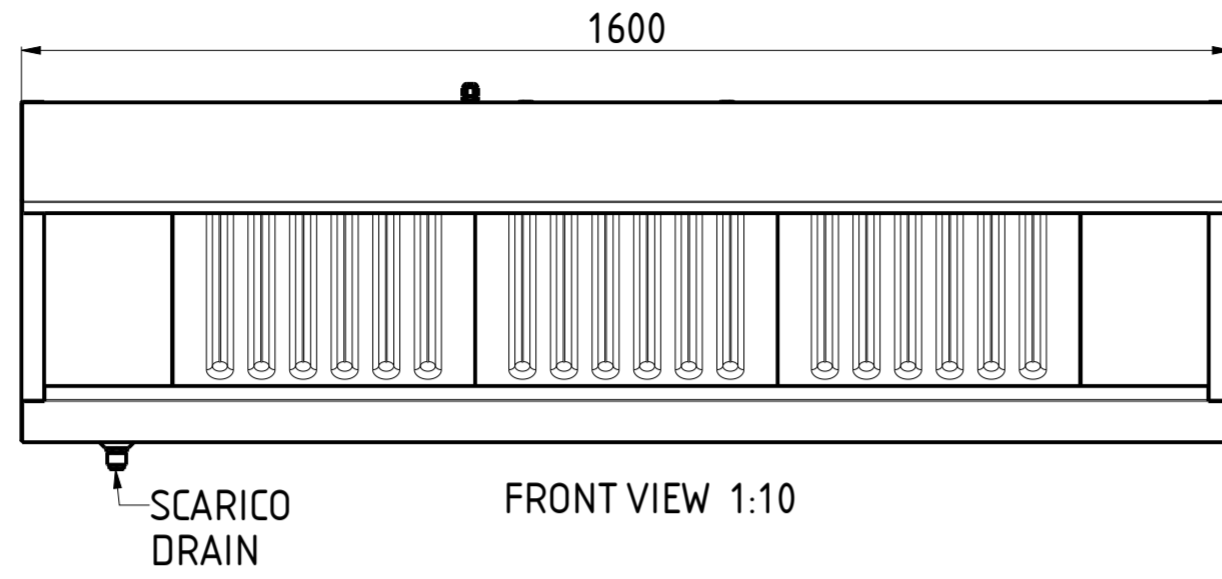


CHSN07L160F



NR. LUCI NR. LIGHTS	PORTATA FLOW RATE	HST mmH ₂ O	WATT	SDR	PESO (Kg) WEIGHT (Kg)
4	1400	20	147	7/7	63

DATA DATE	MODIF. N. MODIF. NO.	DESCRIZIONE MODIFICHE MODIFICATION DESCRIPTION	DISEGNATO DRAWN BY	APPROVATO APPROVED
MODELLO CAPPA SNACK CON MOTORE 7/16 MODEL SNACK HOOD WITH MOTOR 7/16			SCALA SCALE	-
PARTICOLARE SCHEDA TECNICA DETAIL DATA SHEET			DATA DATE	-
MATERIALE MATERIAL	AISI 304 - AISI 430	SPES. THICK.	SHEET 2 OF 5	
FINITURA FINISH		PEZZI N. PIECES NO.	ULTIMA EMISS. LAST EDITION	
TRATTAMENTO TREATMENT		COLORE COLOUR		
			mm	
FORM.A-2				

ELABORATO CON SISTEMA CAD
 DESIGNED BY CAD/STEM
 QUOTA PRIMARIA
 PRIMARY DIMENSION
 XX
 ANGOLI
 Angles
 >500
 >±0.75
 400-500
 >±0.65
 315-400
 >±0.60
 250-315
 >±0.55
 180-250
 >±0.50
 120-180
 >±0.45
 80-120
 >±0.40
 50-80
 >±0.35
 30-50
 >±0.30
 18-30
 >±0.25
 10-18
 >±0.20
 5-10
 >±0.15
 0-5
 >±0.10
 LUNGHEZZE E DIAMETRI
 LENGTH AND DIAM.
 TOLLERANZA UNLESS OTHERWISE STATED
 TOLERANCE